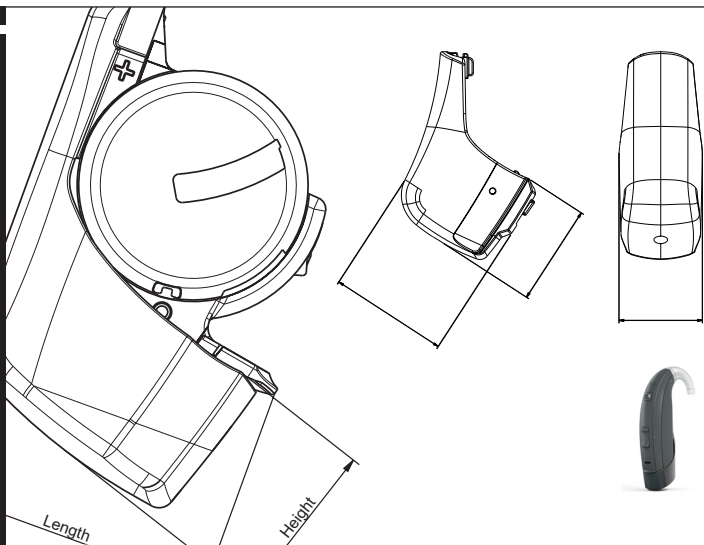


FM compatibility guide



Contents

| | |
|--|---|
| Introduction | 3 |
| Getting started | 3 |
| Set-up the hearing instruments for FM use | 3 |
| ReSound FM receiver solutions | 4 |
| ReSound DAI adaptor solutions | 5 |
| Connect to Phonak transmitters | 6 |
| Connect to Oticon Amigo transmitters | 7 |
| Connect universal FM receiver to a FM transmitter | 8 |
| Transmitter compatibility | 8 |
| Universal receiver compatibility | 8 |

ReSound offers a FM receiver solution (FM02) for super power BTEs. These receivers are compatible with the FM systems most commonly used in educational settings and in other situations that require FM use.

ReSound also offers two DAI adaptor solutions compatible with all universal FM receivers. The DAI adaptor is used for connection of a universal ear-level FM receiver.

For the user to get the most out of an FM system it is important that it is fitted to the individual needs and preferences. This guide gives an overview of how to program ReSound hearing instruments with ReSound Aventa 3 for FM use. It also gives an overview of some of the transmitters which can be used with the ReSound FM receivers and how to connect them to the FM transmitters.

Getting started

Set-up the hearing instruments for FM use

1. Select a client in Noah.
2. Connect the hearing instrument(s) to the Aventa fitting software.
3. Set up a DAI/FM program (DAI/mic balance should be set to 0/0 dB).
4. Auto-relate the gains from program 1 to the DAI/FM program.
5. Save the fitting.
6. Exit Aventa.
7. Connect the FM receiver and/or a DAI shoe and receiver to the base of the hearing instrument.
8. Access the FM program: attaching the FM receiver or DAI with FM receiver to the hearing instrument(s) automatically switches the hearing instrument(s) to FM mode¹.
9. The hearing instrument(s) are now ready to connect to the transmitter.

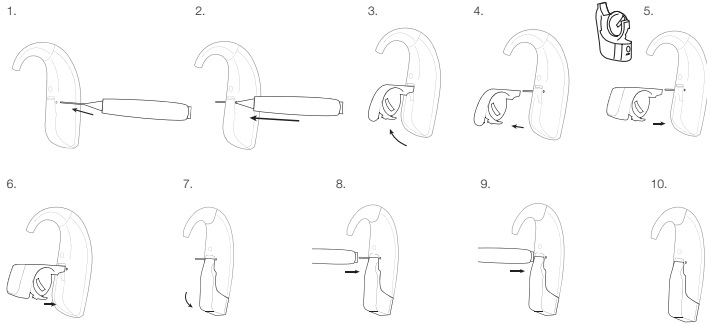
¹Except for the EO-98 models. For these models, use the program button or remote control to switch to the FM program.

ReSound FM receiver solutions

FM02

FM02 is a dedicated ear-level FM receiver for ReSound ENZO 98 Super Power hearing instruments featuring a 675 battery.

The hearing care professional can easily attach or remove an FM02 with just one pin.



ReSound DAI adaptor solutions

Model overview

DAI click-on adaptor for RIE, MBTE and BTE models

The DAI click-on adaptor is compatible with ReSound BTE hearing instruments: ReSound LiNX 77 and 88 BTE, ReSound Verso 67 MBTE, Verso 77 and 88 BTE, ReSound Alera 67 MBTE, Alera 77 and 87 BTE, and with ReSound Alera and ReSound Verso 62 RIE featuring 312 and 13 size battery.




Design-integrated DAI adaptor for Super Power BTE

The design-integrated DAI adaptor is compatible with ReSound ENZO 98 super power BTE's featuring a 675 battery.




Connect to Phonak transmitters

Connecting ReSound hearing instrument(s) to a Phonak transmitter using the ReSound FM02 receiver

- Connect the FM receiver to the hearing instrument(s).
- The hearing instruments will automatically switch to the FM program². ReSound Up Smart BTE and Super Power models with LED will blink  for FM confirmation.
- Turn on the transmitter (The screen should light up).
- Make sure that the Phonak transmitter is charged (Phonak Inspiro, SmartLink+, EasyLink+ or ZoomLink+).
- To connect the ReSound FM receiver with the transmitter; place the hearing instrument(s) with the ReSound FM receiver connected within 10cm (4 inches) of the Phonak transmitter.
 - Inspiro: Press the Connect key on the key pad.
 - SmartLink+, EasyLink+ and ZoomLink+: Automatically selects the most recently used FM channel.
- The ReSound FM receiver should now be connected to the Phonak transmitter.
- Verify that the sound is being transmitted by tapping the transmitter microphone; sound should be audible in the hearing instrument(s).
- For further details refer to your Phonak transmitter guide.

Connecting ReSound hearing instrument(s) to Oticon Amigo transmitter using the ReSound FM02 receiver

- Connect the FM receiver to the hearing instrument(s).
- The hearing instruments will automatically switch to the FM program³. ReSound Up Smart BTE and Super Power models with LED will blink  for FM confirmation.
- Turn on the Amigo transmitter (the screen should light up)
- Make sure that the Oticon Amigo transmitter is charged.
- To connect the ReSound FM receiver with the Oticon Amigo transmitter; place the hearing instrument(s) with the FM receiver connected within 10-35cm (4-20 inches) of the Amigo transmitter.
- Press briefly the Sync button in the middle.
- Verify that the sound is being transmitted by tapping the transmitter microphone; sound should be audible in the hearing instrument(s).

Troubleshooting channel selection


- When using the FM02 with the Oticon Amigo transmitter, the receiver must be on same channel as the Amigo transmitter.
- When the receiver channel is known, it can be selected on the Amigo transmitter. Note that the top left corner of the screen shows the Phonak notation for the channel, which may be different than the Oticon number at the center of the screen.
- If the receiver channel is not known, switch channel on the Amigo transmitter until the receiver is found.
- If a particular channel is preferred use the Phonak transmitter to change to the desired channel and then select this channel in the Amigo transmitter.
- For further details refer to your Amigo transmitter guide.

²Except for the EO-98 models. For these, manually switch to the FM program.

³Except for the EO-98 models. For these, manually switch to the FM program.

Connect universal FM receiver to a FM transmitter

Connecting ReSound hearing instrument(s) to a FM transmitter using a universal FM receiver via a DAI adaptor

- Connect the DAI to the hearing instrument.
- Connect the universal FM receiver to the DAI shoe.
- The hearing instruments will automatically switch to the FM program⁴. ReSound Up Smart BTE and Super Power models with LED will blink  for FM confirmation.
- Turn on the transmitter (The screen should light up).
- Make sure the transmitter is charged.
- Connect the FM receiver with the transmitter; place hearing instrument(s) with the FM receiver connected within 10-35cm (4-20 inches) of the transmitter.
- Briefly press the Connect key on the transmitter.
- Verify that the sound is being transmitted by tapping the transmitter microphone sound should be audible in the hearing instrument(s).
- For further details on how to connect refer to your guide provided for the FM system you are using.

Transmitter compatibility

| FM02 compatibility Phonak transmitters |
|---|
| Phonak inspiro |
| Phonak SmartLink |
| Phonak ZoomLink |
| Phonak EasyLink |

| FM02 compatibility Oticon transmitters |
|---|
| Oticon Amigo T20/21 |
| Oticon Amigo T30/31 |

Universal receiver compatibility

| Phonak universal receiver compatibility via DAI |
|---|
| Phonak Roger |
| Phonak MLxi |
| Phonak MicroMLxS |

| Oticon universal receiver compatibility via DAI |
|---|
| Amigo R2 |

⁴Except for the EO-98 models. For these, manually switch to the FM program.

ReSound



rediscover hearing

ReSound® develops hearing solutions that emulate the natural ear. They let people forget their hearing loss and that they're wearing hearing instruments – enabling them to live rich, active and fulfilling lives.

ReSound North America

8001 Bloomington Freeway
Bloomington, MN 55420
1-800-248-4327
customerexperience@gnresound.com
gnresound.com

ReSound Government Services

8001 Bloomington Freeway
Bloomington, MN 55420
1-800-392-9932
VAinfo@gnresound.com

ReSound Canada

303 Supertest Road
Toronto, Ontario M3J 2M4
1-888-737-6863
gnresound.ca